

# EMP Surge Protector / Filter for AC/DC Power Supplies

DATASHEET

Applications

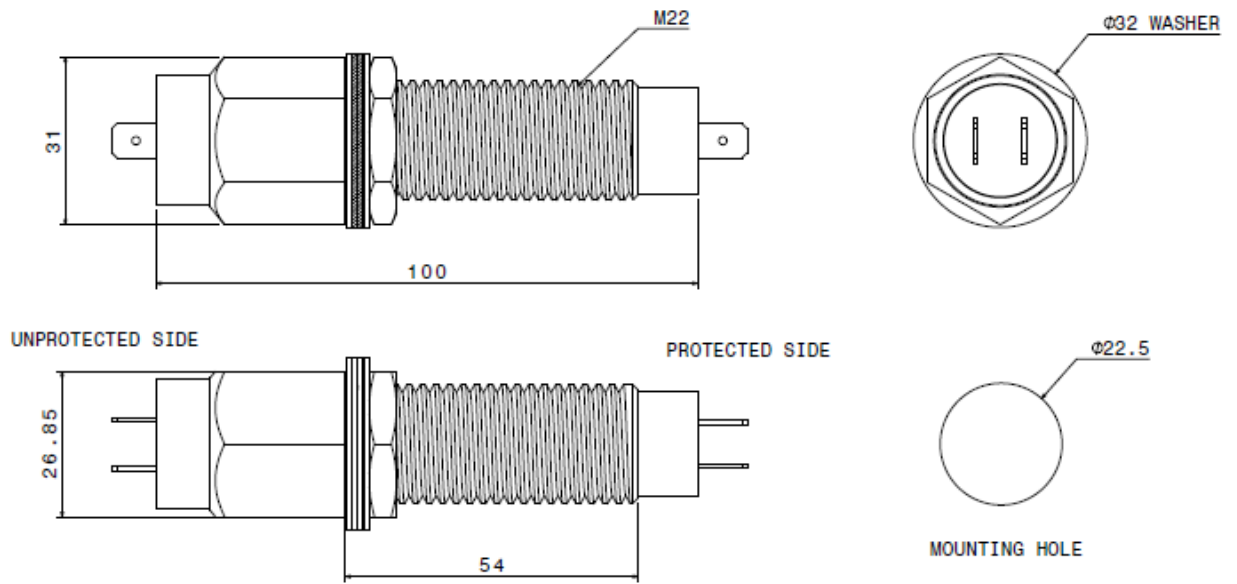
Telephone .1

Signal line .2

## **TECHNICAL SPECIFICATION:**

1. Maximum operating voltage	:	$\pm 48$ V DC/ 32 V AC
2. Maximum operating current	:	6 A
3. DC resistance	:	< 40 m $\Omega$
4. Max. Surge current	:	20 kA, 8/20 $\mu$ s Pulse
5. Max. Lightning impulse current	:	2 kA
6. Residual voltage (surge 8/20 $\mu$ s)	:	< 700 V
7. DC Earth Leakage Current	:	< 1 mA
8. Operating temperature range	:	- 40°C / + 85°C
9. Connection terminals	:	6.3mm Fasten Terminal
10. Max. Torque	:	25 Nm
11. Dimensions (Overall)	:	100mm X 22 mm X 31 mm
12. Weight	:	300 g (Maximum)
13. EMP Protection	:	As per MIL STD 188-125-1/2 (Charged Line Method)

**MECHNAICAL DIMENSIONS:**



**EMI Solutions PVT LTD**

#237-A5, Bommasandra Industrial Area, Hosur Road, Bangalore-560 099  
Marketing: +91 80 27836880, Email: [marketing@emisindia.com](mailto:marketing@emisindia.com)