

DC Feedthrough Filter



Feedthrough Filter offer high attenuation to the wide range of frequency up to 1GHz available in various configurations like L, π and T with various mounting and terminations.

Features

- Very wide range in different mounting
- High contact reliability
- Easy to install

Applications

- Broadband interference suppression for Shielded rooms
- Telephone exchanges, base stations
- Electrical machines and systems
- UPS Power supplies



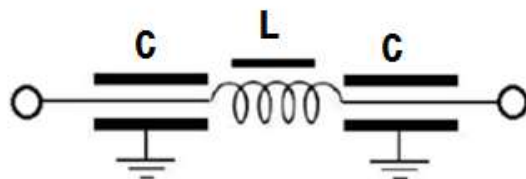
Technical Specifications

Max. Operating Voltage	: 130 VDC
Rated Currents	: 10 to 200A @60°C
High Potential test voltage	: 2000 VDC line to case for 2 sec
Capacitance Class	: Y4
Design Corresponding to	: UL 60939-3
Flammability corresponding to	: UL 94 V-2 or better
Temperature range	: -40°C to +100°C(40/100/21)
Enclosure/Finish/Potting	: Brass with Nickel plating/Epoxy
Operating Frequency	: DC

Approvals



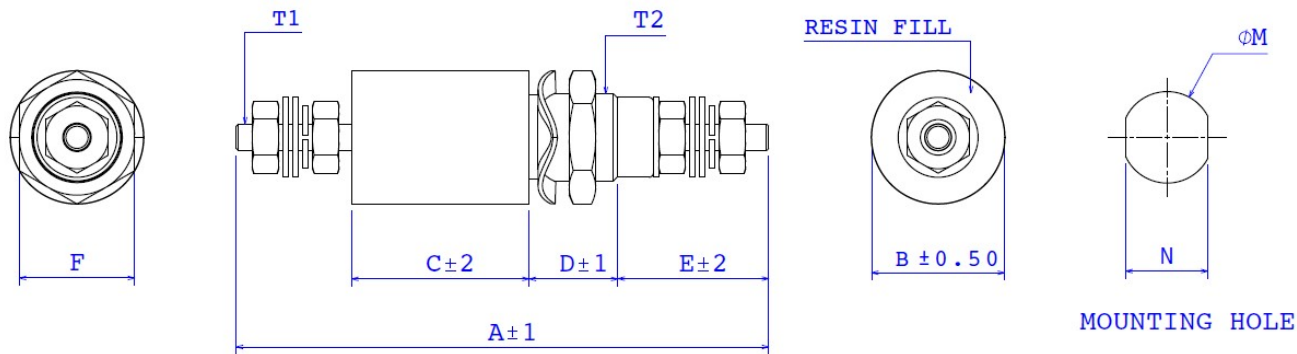
Circuit Diagram



Selection Table

Ordering code	Current rating @60°C	Leakage Current* @130 VAC/50Hz (mA)	Capacitance C (nF)	Inductance L (nH)	A	B	C	D	E	F	T1	T2	M	N
FTFDC-N0100-010A	10A	1	10nF	250	65	25	20	10	20	13	M3	M10	10.3	10.3
FTFDC-N0100-032A	32A				65	25	20	10	20	13	M3	M10	10.3	10.3
FTFDC-N1000-010A	10A	10	100nF	220nH	65	25	20	10	20	13	M3	M10	10.3	10.3
FTFDC-N1000-016A	16A				65	25	20	10	20	13	M3	M10	10.3	10.3
FTFDC-N1000-032A	32A				77	25	20	12	24	17	M4	M12	12.3	12.3
FTFDC-N1000-063A	63A			250nH	80	25	20	12	27	17	M5	M12	12.3	12.3
FTFDC-N4700-063A	63A	47	470nF	250nH	65	20	20	10	20	13	M3	M10	10.3	10.3
FTFDC-N4700-100A	100A				65	20	20	10	20	13	M3	M10	10.3	10.3
FTFDC-N4700-200A	200A			125nH	77	20	20	12	24	17	M4	M12	12.3	12.3
FTFDC-1000N-100A	100A	100	1000nF	400nH	80	20	20	12	27	17	M5	M12	12.3	12.3
FTFDC-1000N-100A	200A	470	4700nF	330nH	98	25	25	14	33	22	M6	M16	16.3	14.3

Mechanical Dimensions



Insertion Loss

Capacitance (nF)	Frequency(Hz)	0.03M	0.1M	1M	10M	100M	1G
10		-	-	3	21	45	70
100		2	5	20	40	65	80
220		4	11	27	45	80	80
470		9	16	33	33	80	80
1000		15	22	40	42	80	80
4700		38	40	52	57	85	90