



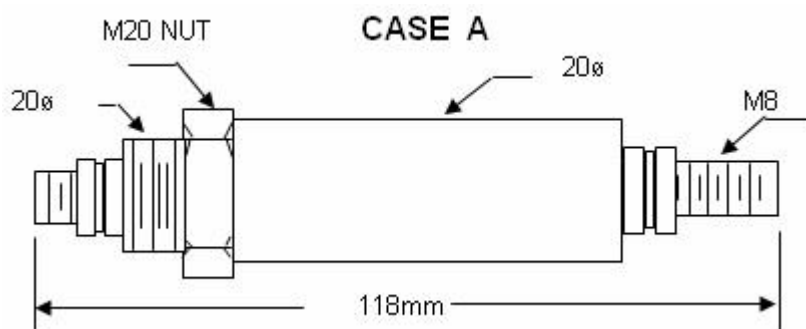
Applications
MRI Rooms
Screened rooms
Defence Equipments
Industrial controls
Telecom

Technical Specification

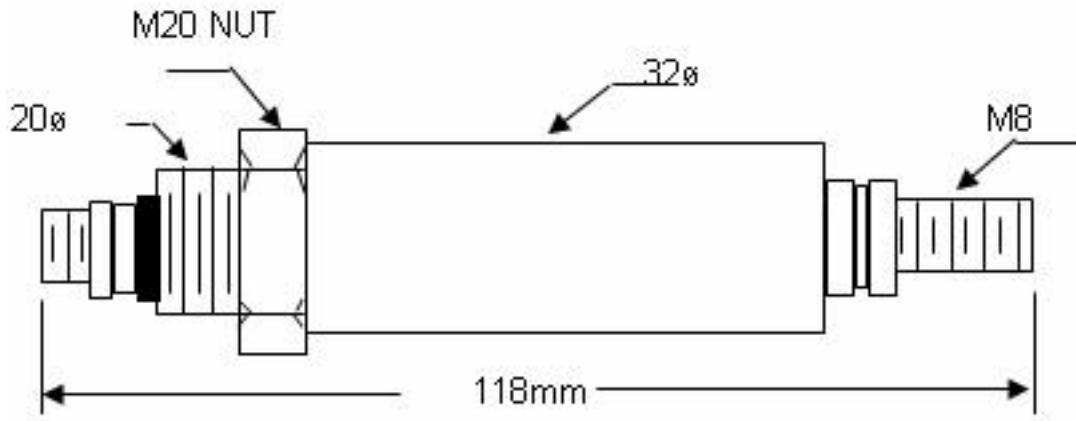
Model No	Capacitance	Rated Voltage	Current Rating (A)	Hipot Testing (1 Min)	Mech. Dimensions
MF-FTF-01M	1 μ F +/- 20%	250 VAC	10,25,50,75,100	3 KV DC	CASE A/C/D
MF-FTF-2M2	2 μ F +/- 20%	250 VAC	10,25,50,75,100	3 KV DC	CASE A/C/D
MF-FTF-3M3	3.3 μ F +/- 20%	250 VAC	10,25,50,75,100	3 KV DC	CASE B/C/D
MF-FTF-4M7	4.7 μ F +/- 20%	250 VAC	10,25,50,75,100	3 KV DC	CASE B/C/D
MF-FTF-10M	10 μ F +/- 20%	250 VAC	10,25,50,75,100	3 KV DC	CASE C/ D

Mechanical dimensions

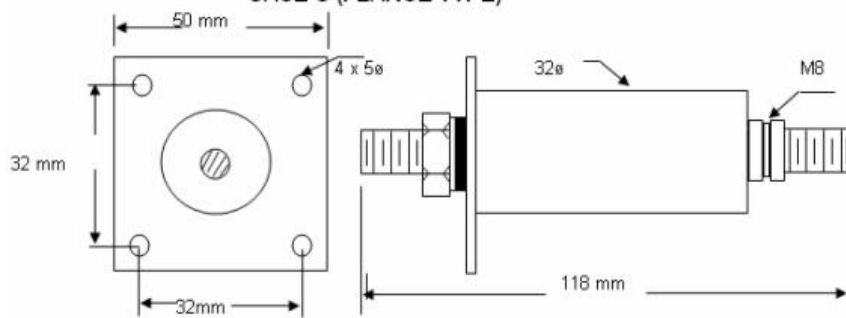
Note: Different Mounting Options available on customer request



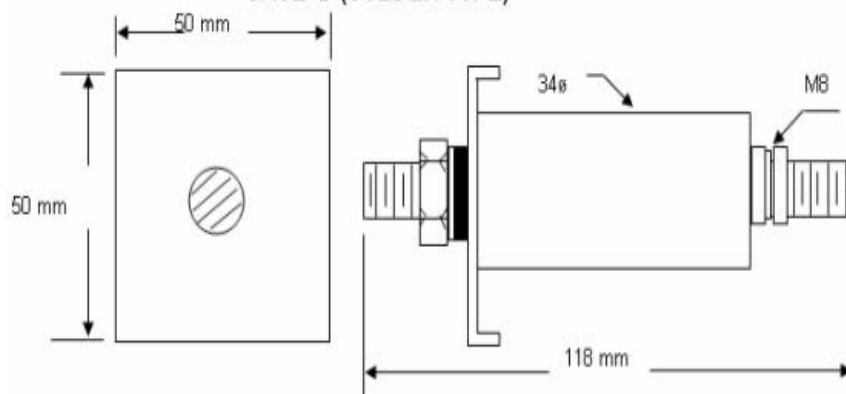
CASE B



CASE C (FLANGE TYPE)



CASE D (SOLDER TYPE)



EMIS

EMI Solutions Pvt. Ltd.

#237-A5, KIADB Industrial Area, Bommasandra, Hosur Road, Bangalore-560 099, Marketing: +91 80 27836880
Email: marketing@emisindia.com